

Leveling Feet

Stainless Steel, with Turned Base Plate, without Mounting Holes

SPECIFICATION

Type (Foot plate)

- Type **DO**: Fine turned, without rubber underlay
- Type **D1**: Fine turned, with rubber underlay, inlaid, black

Version of the screw

- Version **S**: Without nut, external hex at the bottom
- Version **SK**: With nut, external hex at the bottom
- Version **T**: Without nut, wrench flat at the bottom
- Version **TK**: With nut, wrench flat at the bottom
- Version **U**: Without nut, hex socket at the top and wrench flat at the bottom
- Version **UK**: With nut, hex socket at the top and wrench flat at the bottom
- Version **V**: Without nut, external hex at the top and wrench flat at the bottom
- Version **VK**: With nut, external hex at the top and wrench flat at the bottom
- Version **W**: With adjustable sleeve, covered thread and wrench flat at the bottom
- Version **X**: External hex with internal thread

Base plate

Stainless Steel AISI 304

Threaded stem

Stainless Steel AISI 303

Hex nut ISO 4032

Stainless Steel AISI 304

Rubber underlay, inlaid

NBR (Perbunan®), 70 Shore A

INFORMATION

Leveling feet GN 21 will be delivered mounted and are not removable.

TECHNICAL INFORMATION

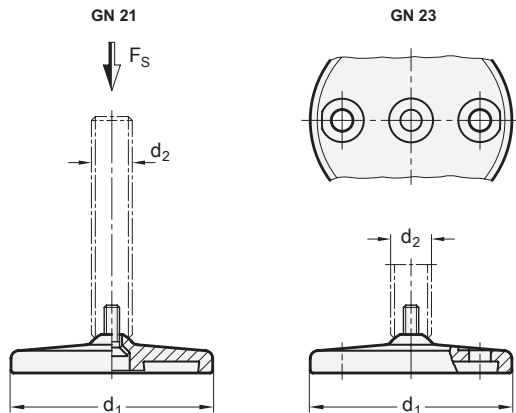
- Plastic Characteristics (see page A2)
- Stainless Steel Characteristics (see page A26)



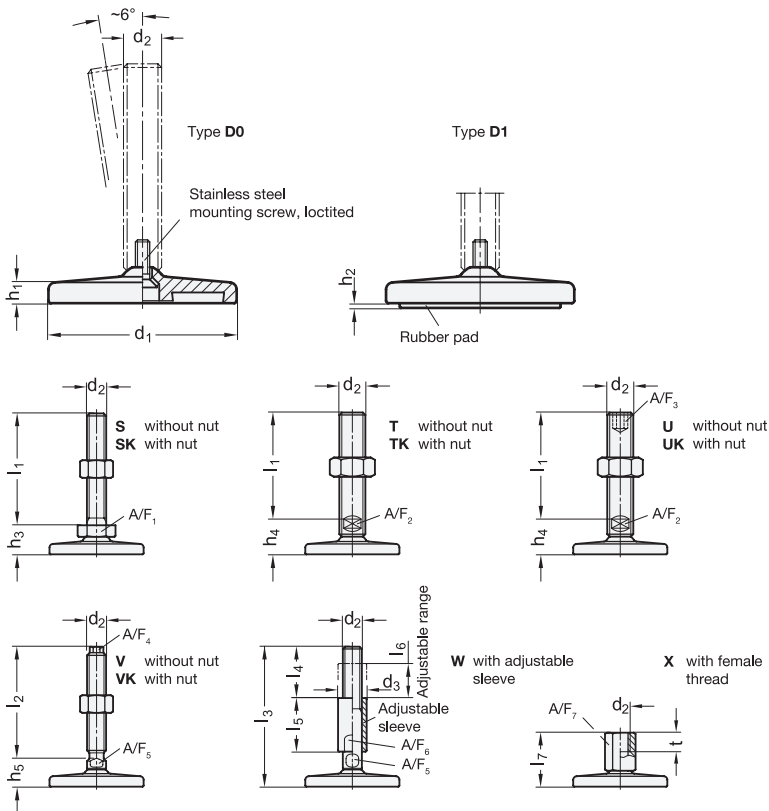
LOAD RATING OF LEVELING FEET

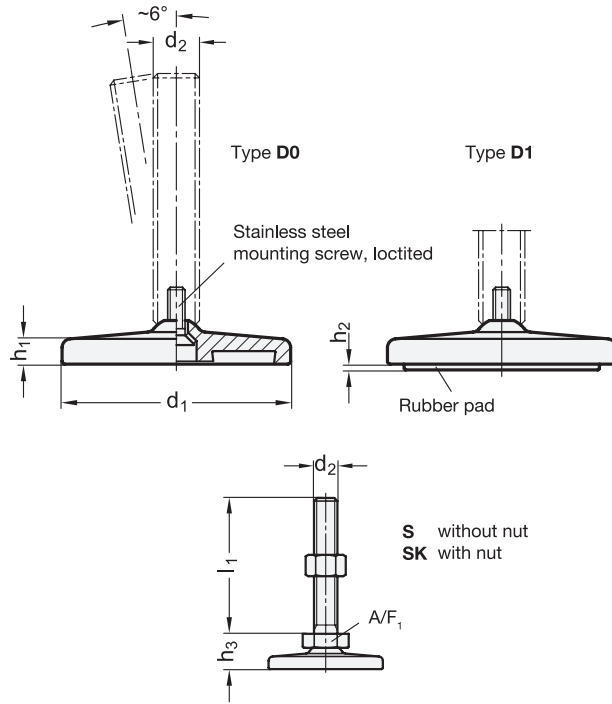
At a spindle thread size M10 and higher, the static load of the leveling feet GN 21 is limited owing to the permissible contact pressure of the adjustment spindle acting on the base plate (at a spindle strength $\geq 500 \text{ N/mm}^2$). The values given in the table (valid for type DO without rubber underlay) assume a clean pressure load perpendicular to the base plate. Bending and buckling stress which often occurs in practice results in a lower load-bearing capacity of the adjustment spindle and may have to be taken into account.

The details given on strength are non-binding guide values without any liability. In general, they do not constitute a warranty or quality. The user must determine from case to case if a product is suitable for the intended purpose or use. Environmental factors may influence the stated values.



Versions of threaded stem		
<p>S / SK: External hex at the bottom at d_2 M 8, M 10, M 12</p>	<p>T / TK: Wrench flat at the bottom at d_2 M 16, M 20, M 24, M 30</p>	<p>U / UK: Hex socket at the top and wrench flat at the bottom at d_2 M 16, M 20, M 24, M 30</p>
<p>V / VK: External hex at the top and wrench flat at the bottom at d_2 M 16, M 20, M 24</p>	<p>W: Covered thread and wrench flat at the bottom at d_2 M 16, M 20, M 24</p>	<p>X: External hex with internal thread at d_2 M 8, M 10, M 12, M 16, M 20</p>





* Complete with version of the Stainless Steel-Leveling feet (External hexagon at the bottom)

S without nut
SK with nut

GN 21-S/SK STAINLESS STEEL

Description	d1	d2	l1	h1	h2	h3	A/F ₁	Static load in kN	⚖️
GN 21-80-M8-40-D0-*	80	M 8	40	8.5	-	19.5	17	6	303
GN 21-80-M8-40-D1-*	80	M 8	40	-	2	19.5	17	6	325
GN 21-80-M8-50-D0-*	80	M 8	50	8.5	-	19.5	17	6	306
GN 21-80-M8-50-D1-*	80	M 8	50	-	2	19.5	17	6	328
GN 21-80-M8-63-D0-*	80	M 8	63	8.5	-	19.5	17	6	311
GN 21-80-M8-63-D1-*	80	M 8	63	-	2	19.5	17	6	333
GN 21-80-M10-50-D0-*	80	M 10	50	8.5	-	19.5	17	11	315
GN 21-80-M10-50-D1-*	80	M 10	50	-	2	19.5	17	11	338
GN 21-80-M10-60-D0-*	80	M 10	60	8.5	-	19.5	17	11	319
GN 21-80-M10-60-D1-*	80	M 10	60	-	2	19.5	17	11	342
GN 21-80-M10-80-D0-*	80	M 10	80	8.5	-	19.5	17	11	329
GN 21-80-M10-80-D1-*	80	M 10	80	-	2	19.5	17	11	352
GN 21-80-M10-100-D0-*	80	M 10	100	8.5	-	19.5	17	11	340
GN 21-80-M10-100-D1-*	80	M 10	100	-	2	19.5	17	11	363
GN 21-80-M12-60-D0-*	80	M 12	60	8.5	-	19.5	17	16	333
GN 21-80-M12-60-D1-*	80	M 12	60	-	2	19.5	17	16	356
GN 21-80-M12-80-D0-*	80	M 12	80	8.5	-	19.5	17	16	347
GN 21-80-M12-80-D1-*	80	M 12	80	-	2	19.5	17	16	370
GN 21-80-M12-100-D0-*	80	M 12	100	8.5	-	19.5	17	16	362
GN 21-80-M12-100-D1-*	80	M 12	100	-	2	19.5	17	16	385
GN 21-80-M12-125-D0-*	80	M 12	125	8.5	-	19.5	17	16	379
GN 21-80-M12-125-D1-*	80	M 12	125	-	2	19.5	17	16	402
GN 21-100-M8-40-D0-*	100	M 8	40	9	-	20.5	17	6	492

GN 21-S/SK STAINLESS STEEL

Description	d1	d2	l1	h1	h2	h3	A/F ₁	Static load in kN	⚖️
GN 21-100-M8-40-D1-*	100	M 8	40	-	3	20.5	17	6	535
GN 21-100-M8-50-D0-*	100	M 8	50	9	-	20.5	17	6	495
GN 21-100-M8-50-D1-*	100	M 8	50	-	3	20.5	17	6	538
GN 21-100-M8-63-D0-*	100	M 8	63	9	-	20.5	17	6	500
GN 21-100-M8-63-D1-*	100	M 8	63	-	3	20.5	17	6	543
GN 21-100-M10-50-D0-*	100	M 10	50	9	-	20.5	17	11	504
GN 21-100-M10-50-D1-*	100	M 10	50	-	3	20.5	17	11	547
GN 21-100-M10-60-D0-*	100	M 10	60	9	-	20.5	17	11	508
GN 21-100-M10-60-D1-*	100	M 10	60	-	3	20.5	17	11	551
GN 21-100-M10-80-D0-*	100	M 10	80	9	-	20.5	17	11	518
GN 21-100-M10-80-D1-*	100	M 10	80	-	3	20.5	17	11	561
GN 21-100-M10-100-D0-*	100	M 10	100	9	-	20.5	17	11	529
GN 21-100-M10-100-D1-*	100	M 10	100	-	3	20.5	17	11	572
GN 21-100-M12-60-D0-*	100	M 12	60	9	-	20.5	17	16	522
GN 21-100-M12-60-D1-*	100	M 12	60	-	3	20.5	17	16	565
GN 21-100-M12-80-D0-*	100	M 12	80	9	-	20.5	17	16	536
GN 21-100-M12-80-D1-*	100	M 12	80	-	3	20.5	17	16	579
GN 21-100-M12-100-D0-*	100	M 12	100	9	-	20.5	17	16	551
GN 21-100-M12-100-D1-*	100	M 12	100	-	3	20.5	17	16	594
GN 21-100-M12-125-D0-*	100	M 12	125	9	-	20.5	17	16	568
GN 21-100-M12-125-D1-*	100	M 12	125	-	3	20.5	17	16	611

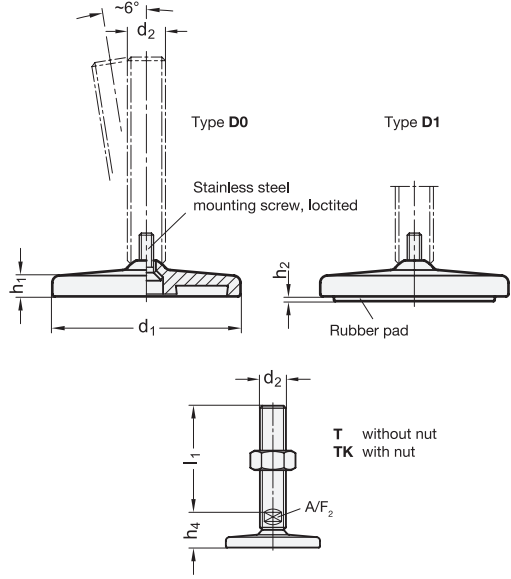
Weight Version S

* Complete with version of the Stainless Steel-Leveling feet (Wrench flat at the bottom)

T without nut TK with nut

GN 21-T/TK STAINLESS STEEL

Description	d1	d2	l1	h1	h2	h4	A/F ₂	Static load in kN	
GN 21-80-M16-75-D0-*	80	M 16	75	8.5	-	25.5	12	17	392
GN 21-80-M16-75-D1-*	80	M 16	75	-	2	25.5	12	17	414
GN 21-80-M16-100-D0-*	80	M 16	100	8.5	-	25.5	12	17	425
GN 21-80-M16-100-D1-*	80	M 16	100	-	2	25.5	12	17	447
GN 21-80-M16-125-D0-*	80	M 16	125	8.5	-	25.5	12	17	457
GN 21-80-M16-125-D1-*	80	M 16	125	-	2	25.5	12	17	479
GN 21-80-M16-150-D0-*	80	M 16	150	8.5	-	25.5	12	17	489
GN 21-80-M16-150-D1-*	80	M 16	150	-	2	25.5	12	17	511
GN 21-80-M16-200-D0-*	80	M 16	200	8.5	-	25.5	12	17	553
GN 21-80-M16-200-D1-*	80	M 16	200	-	2	25.5	12	17	575
GN 21-80-M16-250-D0-*	80	M 16	250	8.5	-	25.5	12	17	617
GN 21-80-M16-250-D1-*	80	M 16	250	-	2	25.5	12	17	639
GN 21-80-M20-75-D0-*	80	M 20	75	8.5	-	27	15	28	454
GN 21-80-M20-75-D1-*	80	M 20	75	-	2	27	15	28	476
GN 21-80-M20-100-D0-*	80	M 20	100	8.5	-	27	15	28	513
GN 21-80-M20-100-D1-*	80	M 20	100	-	2	27	15	28	535
GN 21-80-M20-125-D0-*	80	M 20	125	8.5	-	27	15	28	563
GN 21-80-M20-125-D1-*	80	M 20	125	-	2	27	15	28	585
GN 21-80-M20-150-D0-*	80	M 20	150	8.5	-	27	15	28	614
GN 21-80-M20-150-D1-*	80	M 20	150	-	2	27	15	28	636
GN 21-80-M20-200-D0-*	80	M 20	200	8.5	-	27	15	28	714
GN 21-80-M20-200-D1-*	80	M 20	200	-	2	27	15	28	736
GN 21-80-M20-250-D0-*	80	M 20	250	8.5	-	27	15	28	1236
GN 21-80-M20-250-D1-*	80	M 20	250	-	2	27	15	28	1258
GN 21-80-M24-100-D0-*	80	M 24	100	8.5	-	30.5	19	46	629
GN 21-80-M24-100-D1-*	80	M 24	100	-	2	30.5	19	46	651
GN 21-80-M24-125-D0-*	80	M 24	125	8.5	-	30.5	19	46	709
GN 21-80-M24-125-D1-*	80	M 24	125	-	2	30.5	19	46	731
GN 21-80-M24-150-D0-*	80	M 24	150	8.5	-	30.5	19	46	775
GN 21-80-M24-150-D1-*	80	M 24	150	-	2	30.5	19	46	797
GN 21-80-M24-200-D0-*	80	M 24	200	8.5	-	30.5	19	46	921
GN 21-80-M24-200-D1-*	80	M 24	200	-	2	30.5	19	46	943
GN 21-80-M24-300-D0-*	80	M 24	300	8.5	-	30.5	19	46	2091
GN 21-80-M24-300-D1-*	80	M 24	300	-	2	30.5	19	46	2113
GN 21-100-M16-75-D0-*	100	M 16	75	9	-	26.5	12	17	581
GN 21-100-M16-75-D1-*	100	M 16	75	-	3	26.5	12	17	624
GN 21-100-M16-100-D0-*	100	M 16	100	9	-	26.5	12	17	614
GN 21-100-M16-100-D1-*	100	M 16	100	-	3	26.5	12	17	657
GN 21-100-M16-125-D0-*	100	M 16	125	9	-	26.5	12	17	646
GN 21-100-M16-125-D1-*	100	M 16	125	-	3	26.5	12	17	689
GN 21-100-M16-150-D0-*	100	M 16	150	9	-	26.5	12	17	678
GN 21-100-M16-150-D1-*	100	M 16	150	-	3	26.5	12	17	721
GN 21-100-M16-200-D0-*	100	M 16	200	9	-	26.5	12	17	738
GN 21-100-M16-200-D1-*	100	M 16	200	-	3	26.5	12	17	781
GN 21-100-M16-250-D0-*	100	M 16	250	9	-	26.5	12	17	1069
GN 21-100-M16-250-D1-*	100	M 16	250	-	3	26.5	12	17	1112
GN 21-100-M20-75-D0-*	100	M 20	75	9	-	28	15	28	635
GN 21-100-M20-75-D1-*	100	M 20	75	-	3	28	15	28	678
GN 21-100-M20-100-D0-*	100	M 20	100	9	-	28	15	28	694
GN 21-100-M20-100-D1-*	100	M 20	100	-	3	28	15	28	737
GN 21-100-M20-125-D0-*	100	M 20	125	9	-	28	15	28	744
GN 21-100-M20-125-D1-*	100	M 20	125	-	3	28	15	28	787
GN 21-100-M20-150-D0-*	100	M 20	150	9	-	28	15	28	795
GN 21-100-M20-150-D1-*	100	M 20	150	-	3	28	15	28	838
GN 21-100-M20-200-D0-*	100	M 20	200	9	-	28	15	28	895
GN 21-100-M20-200-D1-*	100	M 20	200	-	3	28	15	28	938
GN 21-100-M20-250-D0-*	100	M 20	250	9	-	28	15	28	1417
GN 21-100-M20-250-D1-*	100	M 20	250	-	3	28	15	28	1460
GN 21-100-M24-100-D0-*	100	M 24	100	9	-	31.5	19	46	814



GN 21-T/TK STAINLESS STEEL

Description	d1	d2	l1	h1	h2	h4	A/F ₂	Static load in kN	
GN 21-100-M24-100-D1-*	100	M 24	100	-	3	31.5	19	46	857
GN 21-100-M24-125-D0-*	100	M 24	125	9	-	31.5	19	46	894
GN 21-100-M24-125-D1-*	100	M 24	125	-	3	31.5	19	46	937
GN 21-100-M24-150-D0-*	100	M 24	150	9	-	31.5	19	46	960
GN 21-100-M24-150-D1-*	100	M 24	150	-	3	31.5	19	46	1003
GN 21-100-M24-200-D0-*	100	M 24	200	9	-	31.5	19	46	1106
GN 21-100-M24-200-D1-*	100	M 24	200	-	3	31.5	19	46	1149
GN 21-100-M24-300-D0-*	100	M 24	300	9	-	31.5	19	46	2276
GN 21-100-M24-300-D1-*	100	M 24	300	-	3	31.5	19	46	2319
GN 21-120-M20-75-D0-*	120	M 20	75	12	-	32	15	28	988
GN 21-120-M20-75-D1-*	120	M 20	75	-	3.5	32	15	28	1071
GN 21-120-M20-100-D0-*	120	M 20	100	12	-	32	15	28	1047
GN 21-120-M20-100-D1-*	120	M 20	100	-	3.5	32	15	28	1130
GN 21-120-M20-125-D0-*	120	M 20	125	12	-	32	15	28	1097
GN 21-120-M20-125-D1-*	120	M 20	125	-	3.5	32	15	28	1180
GN 21-120-M20-150-D0-*	120	M 20	150	12	-	32	15	28	1148
GN 21-120-M20-150-D1-*	120	M 20	150	-	3.5	32	15	28	1231
GN 21-120-M20-200-D0-*	120	M 20	200	12	-	32	15	28	1248
GN 21-120-M20-200-D1-*	120	M 20	200	-	3.5	32	15	28	1331
GN 21-120-M20-250-D0-*	120	M 20	250	12	-	32	15	28	1770
GN 21-120-M20-250-D1-*	120	M 20	250	-	3.5	32	15	28	1852
GN 21-120-M24-100-D0-*	120	M 24	100	12	-	35.5	19	46	1164
GN 21-120-M24-100-D1-*	120	M 24	100	-	3.5	35.5	19	46	1247
GN 21-120-M24-125-D0-*	120	M 24	125	12	-	35.5	19	46	1244
GN 21-120-M24-125-D1-*	120	M 24	125	-	3.5	35.5	19	46	1327
GN 21-120-M24-150-D0-*	120	M 24	150	12	-	35.5	19	46	1310
GN 21-120-M24-150-D1-*	120	M 24	150	-	3.5	35.5	19	46	1393
GN 21-120-M24-200-D0-*	120	M 24	200	12	-	35.5	19	46	1456
GN 21-120-M24-200-D1-*	120	M 24	200	-	3.5	35.5	19	46	1539
GN 21-120-M24-300-D0-*	120	M 24	300	12	-	35.5	19	46	2626
GN 21-120-M24-300-D1-*	120	M 24	300	-	3.5	35.5	19	46	2709
GN 21-120-M30-100-D0-*	120	M 30	100	12	-	39.5	24	43	1402
GN 21-120-M30-100-D1-*	120	M 30	100	-	3.5	39.5	24	43	1484
GN 21-120-M30-125-D0-*	120	M 30	125	12	-	39.5	24	43	1497
GN 21-120-M30-125-D1-*	120	M 30	125	-	3.5	39.5	24	43	1580
GN 21-120-M30-150-D0-*	120	M 30	150	12	-	39.5	24	43	1616
GN 21-120-M30-150-D1-*	120	M 30	150	-	3.5	39.5	24	43	1698
GN 21-120-M30-200-D0-*	120	M 30	200	12	-	39.5	24	43	1852
GN 21-120-M30-200-D1-*	120	M 30	200	-	3.5	39.5	24	43	1935
GN 21-120-M30-300-D0-*	120	M 30	300	12	-	39.5	24	43	3378
GN 21-120-M30-300-D1-*	120	M 30	300	-	3.5	39.5	24	43	3461

Weight Version T



Leveling elements 11



Leveling elements 11

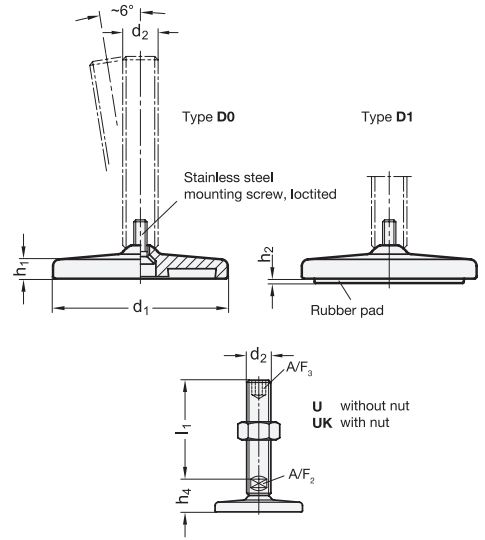
* Complete with version of the Levelling feet (Hexagon socket at the top / Wrench at the bottom)

U without nut
UK with nut

GN 21-U/UK

STAINLESS STEEL

Description	d1	d2	l1	h1	h2	h4	A/F ₂	A/F ₃	Static load in kN	
GN 21-80-M16-75-D0-*	80	M 16	75	8.5	-	25.5	12	8	17	387
GN 21-80-M16-75-D1-*	80	M 16	75	-	2	25.5	12	8	17	409
GN 21-80-M16-100-D0-*	80	M 16	100	8.5	-	25.5	12	8	17	419
GN 21-80-M16-100-D1-*	80	M 16	100	-	2	25.5	12	8	17	441
GN 21-80-M16-125-D0-*	80	M 16	125	8.5	-	25.5	12	8	17	426
GN 21-80-M16-125-D1-*	80	M 16	125	-	2	25.5	12	8	17	448
GN 21-80-M16-150-D0-*	80	M 16	150	8.5	-	25.5	12	8	17	484
GN 21-80-M16-150-D1-*	80	M 16	150	-	2	25.5	12	8	17	506
GN 21-80-M16-200-D0-*	80	M 16	200	8.5	-	25.5	12	8	17	550
GN 21-80-M16-200-D1-*	80	M 16	200	-	2	25.5	12	8	17	572
GN 21-80-M16-250-D0-*	80	M 16	250	8.5	-	25.5	12	8	17	616
GN 21-80-M16-250-D1-*	80	M 16	250	-	2	25.5	12	8	17	638
GN 21-80-M20-75-D0-*	80	M 20	75	8.5	-	27	15	10	28	454
GN 21-80-M20-75-D1-*	80	M 20	75	-	2	27	15	10	28	476
GN 21-80-M20-100-D0-*	80	M 20	100	8.5	-	27	15	10	28	692
GN 21-80-M20-100-D1-*	80	M 20	100	-	2	27	15	10	28	714
GN 21-80-M20-125-D0-*	80	M 20	125	8.5	-	27	15	10	28	555
GN 21-80-M20-125-D1-*	80	M 20	125	-	2	27	15	10	28	577
GN 21-80-M20-150-D0-*	80	M 20	150	8.5	-	27	15	10	28	613
GN 21-80-M20-150-D1-*	80	M 20	150	-	2	27	15	10	28	635
GN 21-80-M20-200-D0-*	80	M 20	200	8.5	-	27	15	10	28	708
GN 21-80-M20-200-D1-*	80	M 20	200	-	2	27	15	10	28	730
GN 21-80-M20-250-D0-*	80	M 20	250	8.5	-	27	15	10	28	1231
GN 21-80-M20-250-D1-*	80	M 20	250	-	2	27	15	10	28	1253
GN 21-80-M24-100-D0-*	80	M 24	100	8.5	-	30.5	19	12	46	692
GN 21-80-M24-100-D1-*	80	M 24	100	-	2	30.5	19	12	46	714
GN 21-80-M24-125-D0-*	80	M 24	125	8.5	-	30.5	19	12	46	684
GN 21-80-M24-125-D1-*	80	M 24	125	-	2	30.5	19	12	46	706
GN 21-80-M24-150-D0-*	80	M 24	150	8.5	-	30.5	19	12	46	765
GN 21-80-M24-150-D1-*	80	M 24	150	-	2	30.5	19	12	46	787
GN 21-80-M24-200-D0-*	80	M 24	200	8.5	-	30.5	19	12	46	901
GN 21-80-M24-200-D1-*	80	M 24	200	-	2	30.5	19	12	46	923
GN 21-80-M24-300-D0-*	80	M 24	300	8.5	-	30.5	19	12	46	1710
GN 21-80-M24-300-D1-*	80	M 24	300	-	2	30.5	19	12	46	1732
GN 21-100-M16-75-D0-*	100	M 16	75	9	-	26.5	12	8	17	576
GN 21-100-M16-75-D1-*	100	M 16	75	-	3	26.5	12	8	17	619
GN 21-100-M16-100-D0-*	100	M 16	100	9	-	26.5	12	8	17	608
GN 21-100-M16-100-D1-*	100	M 16	100	-	3	26.5	12	8	17	651
GN 21-100-M16-125-D0-*	100	M 16	125	9	-	26.5	12	8	17	615
GN 21-100-M16-125-D1-*	100	M 16	125	-	3	26.5	12	8	17	658
GN 21-100-M16-150-D0-*	100	M 16	150	9	-	26.5	12	8	17	673
GN 21-100-M16-150-D1-*	100	M 16	150	-	3	26.5	12	8	17	716
GN 21-100-M16-200-D0-*	100	M 16	200	9	-	26.5	12	8	17	735
GN 21-100-M16-200-D1-*	100	M 16	200	-	3	26.5	12	8	17	778
GN 21-100-M16-250-D0-*	100	M 16	250	9	-	26.5	12	8	17	1065
GN 21-100-M16-250-D1-*	100	M 16	250	-	3	26.5	12	8	17	1108
GN 21-100-M20-75-D0-*	100	M 20	75	9	-	28	15	10	28	635
GN 21-100-M20-75-D1-*	100	M 20	75	-	3	28	15	10	28	678
GN 21-100-M20-100-D0-*	100	M 20	100	9	-	28	15	10	28	873
GN 21-100-M20-100-D1-*	100	M 20	100	-	3	28	15	10	28	916
GN 21-100-M20-125-D0-*	100	M 20	125	9	-	28	15	10	28	736
GN 21-100-M20-125-D1-*	100	M 20	125	-	3	28	15	10	28	779
GN 21-100-M20-150-D0-*	100	M 20	150	9	-	28	15	10	28	794
GN 21-100-M20-150-D1-*	100	M 20	150	-	3	28	15	10	28	837
GN 21-100-M20-200-D0-*	100	M 20	200	9	-	28	15	10	28	889
GN 21-100-M20-200-D1-*	100	M 20	200	-	3	28	15	10	28	932
GN 21-100-M20-250-D0-*	100	M 20	250	9	-	28	15	10	28	1412
GN 21-100-M20-250-D1-*	100	M 20	250	-	3	28	15	10	28	1455
GN 21-100-M24-100-D0-*	100	M 24	100	9	-	31.5	19	12	46	877

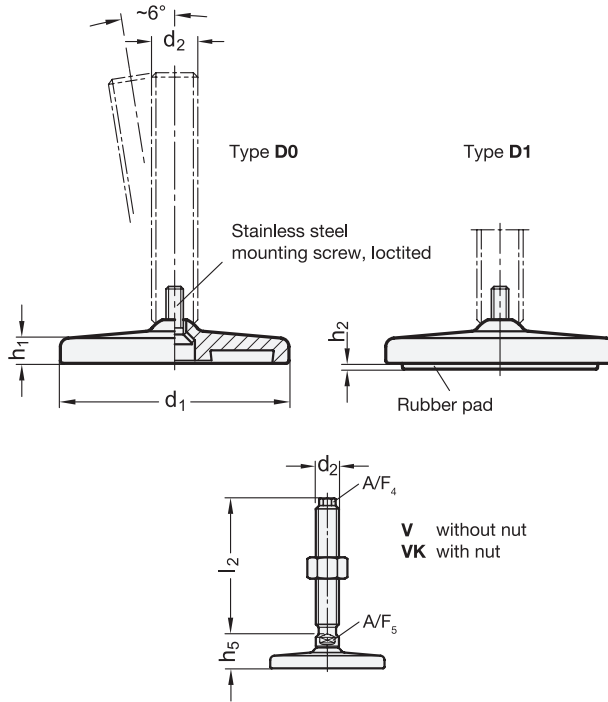


GN 21-U/UK

STAINLESS STEEL

Description	d1	d2	l1	h1	h2	h4	A/F ₂	A/F ₃	Static load in kN	
GN 21-100-M24-100-D1-*	100	M 24	100	-	3	31.5	19	12	46	920
GN 21-100-M24-125-D0-*	100	M 24	125	9	-	31.5	19	12	46	869
GN 21-100-M24-125-D1-*	100	M 24	125	-	3	31.5	19	12	46	912
GN 21-100-M24-150-D0-*	100	M 24	150	9	-	31.5	19	12	46	950
GN 21-100-M24-150-D1-*	100	M 24	150	-	3	31.5	19	12	46	993
GN 21-100-M24-200-D0-*	100	M 24	200	9	-	31.5	19	12	46	1086
GN 21-100-M24-200-D1-*	100	M 24	200	-	3	31.5	19	12	46	1129
GN 21-100-M24-300-D0-*	100	M 24	300	9	-	31.5	19	12	46	1895
GN 21-100-M24-300-D1-*	100	M 24	300	-	3	31.5	19	12	46	1938
GN 21-120-M20-75-D0-*	120	M 20	75	12	-	32	15	10	28	988
GN 21-120-M20-75-D1-*	120	M 20	75	-	3.5	32	15	10	28	1071
GN 21-120-M20-100-D0-*	120	M 20	100	12	-	32	15	10	28	1226
GN 21-120-M20-100-D1-*	120	M 20	100	-	3.5	32	15	10	28	1309
GN 21-120-M20-125-D0-*	120	M 20	125	12	-	32	15	10	28	1089
GN 21-120-M20-125-D1-*	120	M 20	125	-	3.5	32	15	10	28	1172
GN 21-120-M20-150-D0-*	120	M 20	150	12	-	32	15	10	28	1147
GN 21-120-M20-150-D1-*	120	M 20	150	-	3.5	32	15	10	28	1230
GN 21-120-M20-200-D0-*	120	M 20	200	12	-	32	15	10	28	1242
GN 21-120-M20-200-D1-*	120	M 20	200	-	3.5	32	15	10	28	1325
GN 21-120-M20-250-D0-*	120	M 20	250	12	-	32	15	10	28	1765
GN 21-120-M20-250-D1-*	120	M 20	250	-	3.5	32	15	10	28	1848
GN 21-120-M24-100-D0-*	120	M 24	100	12	-	35.5	19	12	46	1227
GN 21-120-M24-100-D1-*	120	M 24	100	-	3.5	35.5	19	12	46	1310
GN 21-120-M24-125-D0-*	120	M 24	125	12	-	35.5	19	12	46	1219
GN 21-120-M24-125-D1-*	120	M 24	125	-	3.5	35.5	19	12	46	1302
GN 21-120-M24-150-D0-*	120	M 24	150	12	-	35.5	19	12	46	1300
GN 21-120-M24-150-D1-*	120	M 24	150	-	3.5	35.5	19	12	46	1383
GN 21-120-M24-200-D0-*	120	M 24	200	12	-	35.5	19	12	46	1436
GN 21-120-M24-200-D1-*	120	M 24	200	-	3.5	35.5	19	12	46	1519
GN 21-120-M24-300-D0-*	120	M 24	300	12	-	35.5	19	12	46	2245
GN 21-120-M24-300-D1-*	120	M 24	300	-	3.5	35.5	19	12	46	2328
GN 21-120-M30-100-D0-*	120	M 30	100	12	-	39.5	24	12	43	1352
GN 21-120-M30-100-D1-*	120	M 30	100	-	3.5	39.5	24	12	43	1435
GN 21-120-M30-125-D0-*	120	M 30	125	12	-	39.5	24	12	43	1468
GN 21-120-M30-125-D1-*	120	M 30	125	-	3.5	39.5	24	12	43	1551
GN 21-120-M30-150-D0-*	120	M 30	150	12	-	39.5	24	12	43	1580
GN 21-120-M30-150-D1-*	120	M 30	150	-	3.5	39.5	24	12	43	1663
GN 21-120-M30-200-D0-*	120	M 30	200	12	-	39.5	24	12	43	1810
GN 21-120-M30-200-D1-*	120	M 30	200	-	3.5	39.5	24	12	43	1893
GN 21-120-M30-300-D0-*	120	M 30	300	12	-	39.5	24	12	43	3224
GN 21-120-M30-300-D1-*	120	M 30	300	-	3.5	39.5	24	12	43	3307

Weight Version U



* Complete with version of the Levelling feet (External hexagon socket on the top / Wrench flat at the bottom)

V without nut VK with nut

GN 21-V/VK

STAINLESS STEEL

Description	d1	d2	l2	h1	h2	h5	A/F ₄	A/F ₅	Static load in kN	⚖️
GN 21-80-M16-75-D0-*	80	M 16	75	8.5	-	21.5	10	12	21	1256
GN 21-80-M16-75-D1-*	80	M 16	75	-	2	21.5	10	12	21	1278
GN 21-80-M16-100-D0-*	80	M 16	100	8.5	-	21.5	10	12	21	417
GN 21-80-M16-100-D1-*	80	M 16	100	-	2	21.5	10	12	21	439
GN 21-80-M16-125-D0-*	80	M 16	125	8.5	-	21.5	10	12	21	449
GN 21-80-M16-125-D1-*	80	M 16	125	-	2	21.5	10	12	21	471
GN 21-80-M16-150-D0-*	80	M 16	150	8.5	-	21.5	10	12	21	482
GN 21-80-M16-150-D1-*	80	M 16	150	-	2	21.5	10	12	21	504
GN 21-80-M20-100-D0-*	80	M 20	100	8.5	-	23	13	16	35	504
GN 21-80-M20-100-D1-*	80	M 20	100	-	2	23	13	16	35	526
GN 21-80-M20-125-D0-*	80	M 20	125	8.5	-	23	13	16	35	555
GN 21-80-M20-125-D1-*	80	M 20	125	-	2	23	13	16	35	577
GN 21-80-M20-150-D0-*	80	M 20	150	8.5	-	23	13	16	35	607
GN 21-80-M20-150-D1-*	80	M 20	150	-	2	23	13	16	35	629
GN 21-80-M20-200-D0-*	80	M 20	200	8.5	-	23	13	16	35	712
GN 21-80-M20-200-D1-*	80	M 20	200	-	2	23	13	16	35	734
GN 21-80-M24-100-D0-*	80	M 24	100	8.5	-	26	17	20	52	615
GN 21-80-M24-100-D1-*	80	M 24	100	-	2	26	17	20	52	637
GN 21-80-M24-150-D0-*	80	M 24	150	8.5	-	26	17	20	52	763
GN 21-80-M24-150-D1-*	80	M 24	150	-	2	26	17	20	52	785
GN 21-80-M24-200-D0-*	80	M 24	200	8.5	-	26	17	20	52	909
GN 21-80-M24-200-D1-*	80	M 24	200	-	2	26	17	20	52	931
GN 21-100-M16-75-D0-*	100	M 16	75	9	-	22.5	10	12	21	1445

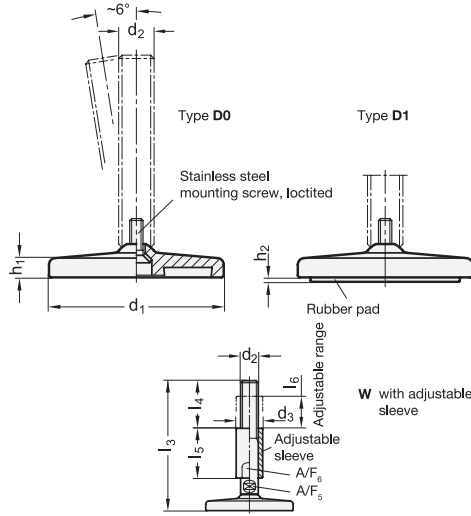
GN 21-V/VK

STAINLESS STEEL

Description	d1	d2	l2	h1	h2	h5	A/F ₄	A/F ₅	Static load in kN	⚖️
GN 21-100-M16-75-D1-*	100	M 16	75	-	3	22.5	10	12	21	1488
GN 21-100-M16-100-D0-*	100	M 16	100	9	-	22.5	10	12	21	606
GN 21-100-M16-100-D1-*	100	M 16	100	-	3	22.5	10	12	21	649
GN 21-100-M16-125-D0-*	100	M 16	125	9	-	22.5	10	12	21	638
GN 21-100-M16-125-D1-*	100	M 16	125	-	3	22.5	10	12	21	681
GN 21-100-M16-150-D0-*	100	M 16	150	9	-	22.5	10	12	21	671
GN 21-100-M16-150-D1-*	100	M 16	150	-	3	22.5	10	12	21	714
GN 21-100-M20-100-D0-*	100	M 20	100	9	-	24	13	16	35	685
GN 21-100-M20-100-D1-*	100	M 20	100	-	3	24	13	16	35	728
GN 21-100-M20-125-D0-*	100	M 20	125	9	-	24	13	16	35	736
GN 21-100-M20-125-D1-*	100	M 20	125	-	3	24	13	16	35	779
GN 21-100-M20-150-D0-*	100	M 20	150	9	-	24	13	16	35	788
GN 21-100-M20-150-D1-*	100	M 20	150	-	3	24	13	16	35	831
GN 21-100-M20-200-D0-*	100	M 20	200	9	-	24	13	16	35	893
GN 21-100-M20-200-D1-*	100	M 20	200	-	3	24	13	16	35	936
GN 21-100-M24-100-D0-*	100	M 24	100	9	-	27	17	20	52	800
GN 21-100-M24-100-D1-*	100	M 24	100	-	3	27	17	20	52	843
GN 21-100-M24-150-D0-*	100	M 24	150	9	-	27	17	20	52	948
GN 21-100-M24-150-D1-*	100	M 24	150	-	3	27	17	20	52	991
GN 21-100-M24-200-D0-*	100	M 24	200	9	-	27	17	20	52	1094
GN 21-100-M24-200-D1-*	100	M 24	200	-	3	27	17	20	52	1137

Weight Version V



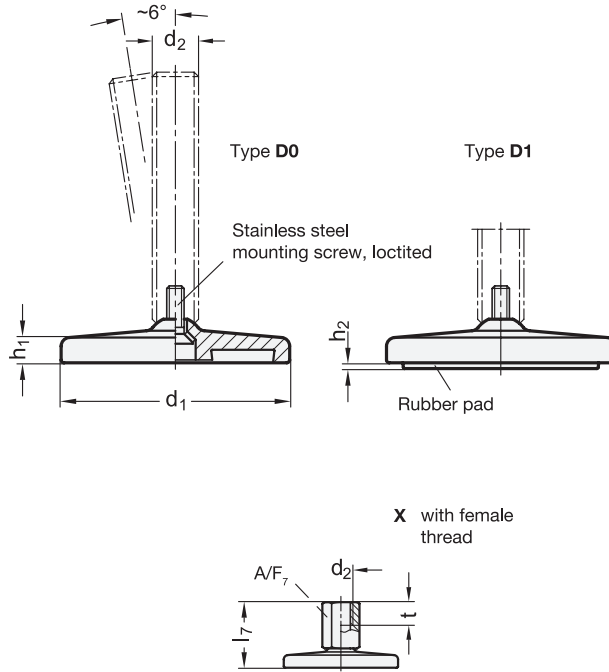


GN 21-W

STAINLESS STEEL

Description	d1	d2	l3 ≈	d3	h1	h2	l4	l5	l6	A/F 5	A/F 6	Static load in kN	⚖️
GN 21-80-M16-118-D0-W	80	M 16	118	24	8.5	-	45	45	29	12	20	25	510
GN 21-80-M16-118-D1-W	80	M 16	118	24	-	2	45	45	29	12	20	25	532
GN 21-80-M16-143-D0-W	80	M 16	143	24	8.5	-	45	45	29	12	20	25	547
GN 21-80-M16-143-D1-W	80	M 16	143	24	-	2	45	45	29	12	20	25	569
GN 21-80-M16-168-D0-W	80	M 16	168	24	8.5	-	45	45	29	12	20	25	588
GN 21-80-M16-168-D1-W	80	M 16	168	24	-	2	45	45	29	12	20	25	610
GN 21-80-M16-193-D0-W	80	M 16	193	24	8.5	-	45	45	29	12	20	25	628
GN 21-80-M16-193-D1-W	80	M 16	193	24	-	2	45	45	29	12	20	25	650
GN 21-80-M20-143-D0-W	80	M 20	143	30	8.5	-	56	56	36	16	24	35	734
GN 21-80-M20-143-D1-W	80	M 20	143	30	-	2	56	56	36	16	24	35	756
GN 21-80-M20-168-D0-W	80	M 20	168	30	8.5	-	56	56	36	16	24	35	797
GN 21-80-M20-168-D1-W	80	M 20	168	30	-	2	56	56	36	16	24	35	819
GN 21-80-M20-193-D0-W	80	M 20	193	30	8.5	-	56	56	36	16	24	35	860
GN 21-80-M20-193-D1-W	80	M 20	193	30	-	2	56	56	36	16	24	35	882
GN 21-80-M20-243-D0-W	80	M 20	243	30	8.5	-	56	56	36	16	24	35	984
GN 21-80-M20-243-D1-W	80	M 20	243	30	-	2	56	56	36	16	24	35	1006
GN 21-80-M24-168-D0-W	80	M 24	168	35	8.5	-	67	67	42	20	30	52	1044
GN 21-80-M24-168-D1-W	80	M 24	168	35	-	2	67	67	42	20	30	52	1066
GN 21-80-M24-218-D0-W	80	M 24	218	35	8.5	-	67	67	42	20	30	52	1222
GN 21-80-M24-218-D1-W	80	M 24	218	35	-	2	67	67	42	20	30	52	1244
GN 21-80-M24-268-D0-W	80	M 24	268	35	8.5	-	67	67	42	20	30	52	1401
GN 21-80-M24-268-D1-W	80	M 24	268	35	-	2	67	67	42	20	30	52	1423
GN 21-100-M16-119-D0-W	100	M 16	119	24	9	-	45	45	32	12	20	25	699
GN 21-100-M16-119-D1-W	100	M 16	119	24	-	3	45	45	32	12	20	25	742
GN 21-100-M16-144-D0-W	100	M 16	144	24	9	-	45	45	32	12	20	25	736
GN 21-100-M16-144-D1-W	100	M 16	144	24	-	3	45	45	32	12	20	25	779
GN 21-100-M16-169-D0-W	100	M 16	169	24	9	-	45	45	32	12	20	25	777
GN 21-100-M16-169-D1-W	100	M 16	169	24	-	3	45	45	32	12	20	25	820
GN 21-100-M16-194-D0-W	100	M 16	194	24	9	-	45	45	32	12	20	25	817
GN 21-100-M16-194-D1-W	100	M 16	194	24	-	3	45	45	32	12	20	25	860
GN 21-100-M20-144-D0-W	100	M 20	144	30	9	-	56	56	40	16	24	35	915
GN 21-100-M20-144-D1-W	100	M 20	144	30	-	3	56	56	40	16	24	35	958
GN 21-100-M20-169-D0-W	100	M 20	169	30	9	-	56	56	40	16	24	35	978
GN 21-100-M20-169-D1-W	100	M 20	169	30	-	3	56	56	40	16	24	35	1021
GN 21-100-M20-194-D0-W	100	M 20	194	30	9	-	56	56	40	16	24	35	1041
GN 21-100-M20-194-D1-W	100	M 20	194	30	-	3	56	56	40	16	24	35	1084
GN 21-100-M20-244-D0-W	100	M 20	244	30	9	-	56	56	40	16	24	35	1165
GN 21-100-M20-244-D1-W	100	M 20	244	30	-	3	56	56	40	16	24	35	1208
GN 21-100-M24-169-D0-W	100	M 24	169	35	9	-	67	67	48	20	30	52	1229
GN 21-100-M24-169-D1-W	100	M 24	169	35	-	3	67	67	48	20	30	52	1272
GN 21-100-M24-219-D0-W	100	M 24	219	35	9	-	67	67	48	20	30	52	1407
GN 21-100-M24-219-D1-W	100	M 24	219	35	-	3	67	67	48	20	30	52	1450
GN 21-100-M24-269-D0-W	100	M 24	269	35	9	-	67	67	48	20	30	52	1586
GN 21-100-M24-269-D1-W	100	M 24	269	35	-	3	67	67	48	20	30	52	1629

Leveling elements 11



GN 21-X

STAINLESS STEEL

Description	d1	d2	l7	h1	h2	A/F7	t	Static load in kN	⚖️
GN 21-80-M8-34-D0-X	80	M 8	34	8.5	-	14	8	17	324
GN 21-80-M8-34-D1-X	80	M 8	34	-	2	14	8	17	346
GN 21-80-M10-37-D0-X	80	M 10	37	8.5	-	14	10	17	324
GN 21-80-M10-37-D1-X	80	M 10	37	-	2	14	10	17	346
GN 21-80-M12-40-D0-X	80	M 12	40	8.5	-	17	12	17	339
GN 21-80-M12-40-D1-X	80	M 12	40	-	2	17	12	17	361
GN 21-80-M16-46-D0-X	80	M 16	46	8.5	-	22	16	17	355
GN 21-80-M16-46-D1-X	80	M 16	46	-	2	22	16	17	377
GN 21-80-M20-54-D0-X	80	M 20	54	8.5	-	27	20	28	425
GN 21-80-M20-54-D1-X	80	M 20	54	-	2	27	20	28	447
GN 21-100-M8-35-D0-X	100	M 8	35	9	-	14	8	17	494
GN 21-100-M8-35-D1-X	100	M 8	35	-	3	14	8	17	537
GN 21-100-M10-38-D0-X	100	M 10	38	9	-	14	10	17	494
GN 21-100-M10-38-D1-X	100	M 10	38	-	3	14	10	17	537
GN 21-100-M12-41-D0-X	100	M 12	41	9	-	17	12	17	509
GN 21-100-M12-41-D1-X	100	M 12	41	-	3	17	12	17	552
GN 21-100-M16-47-D0-X	100	M 16	47	9	-	22	16	17	545
GN 21-100-M16-47-D1-X	100	M 16	47	-	3	22	16	17	588
GN 21-100-M20-55-D0-X	100	M 20	55	9	-	27	20	28	607
GN 21-100-M20-55-D1-X	100	M 20	55	-	3	27	20	28	650
GN 21-120-M20-59-D0-X	120	M 20	59	12	-	27	20	28	960
GN 21-120-M20-59-D1-X	120	M 20	59	-	3.5	27	20	28	1043



Leveling elements 11